

JC35DF

FEATURES

- Strong and robust design
- Low noise, IP66
- Ideal for medical, furniture and industry applications

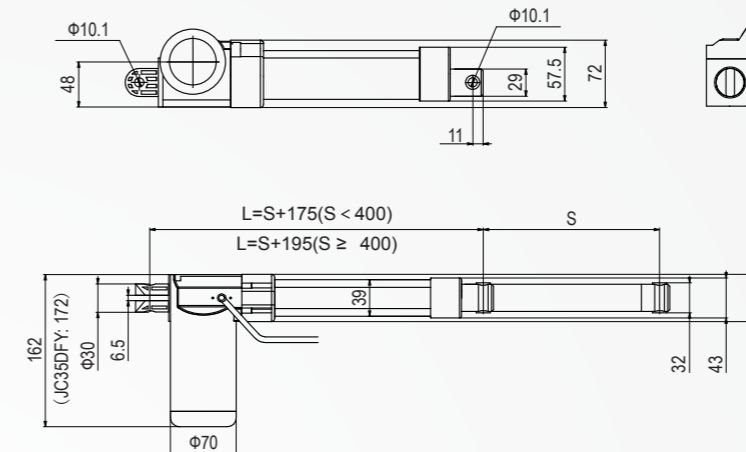


SPECIFICATIONS

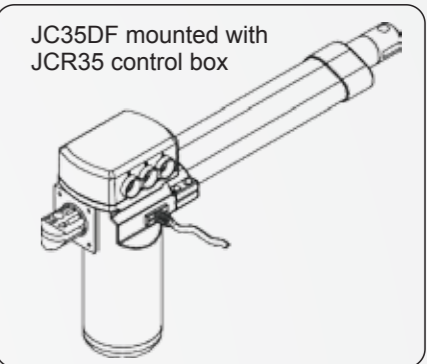
Dynamic Load Push (N)	6000	4000	3000	2000	750
Dynamic Load Pull (N)	4000	4000	3000	2000	750
Static Load Push * (N)	6000	4000	3000	2000	750
Static Load Pull * (N)	4000	4000	3000	2000	750
Input (VDC)	24				
Speed at Full Load (mm/s)	3.5	4.5	8	12	22
Input (VDC)	12				
Speed at Full Load (mm/s)	3	4	5	9	18
Stroke Length (mm)	100~400 (option >400)				
Mounting Position	H type, V type and 45 degree type (see page 95)				
Colour	Black or Grey				
Limit Switch	Build-in				
Overload Protection	Integrated in appropriate Control-Box				
Duty Cycle	10%, max 2min. continuous use				
Inner Tube	Aluminum Tube				
End clevis	Aluminum-Alloy (Steel is option according to application)				
IP Grade	IP66				
Operating Temperature	+5°C ~ +40°C				
Standard	UL60601-1 / EN60601-1				
Optional Features	Hall sensor option (type JC35DFY)				
	Reed switch option (type JC35DFR)				
	Push-Only option (type JC35DFP)				
	Relay free option (see page 07)				

* The values apply when appropriate Jiechang Control Box is used, which short-circuits the motor during stop.

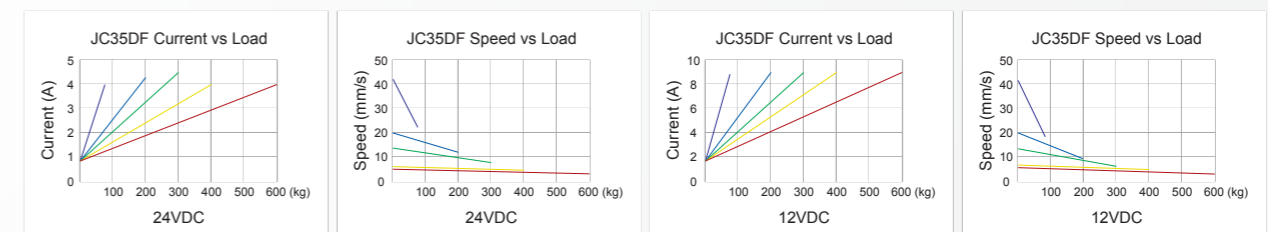
DIMENSIONS



JC35DF mounted with JCR35 control box



PERFORMANCE



ORDER KEY EXAMPLE

